

WARRANTY

Warranty information may be found on our website at www.valcom.com/warranty.

TROUBLESHOOTING CHART

PROBLEM	CORRECTIVE ACTION
No sound in page mode.	<ul style="list-style-type: none">• Check tip and ring for audio at speaker.• Check tip and ring at control unit.
Low volume in page mode.	<ul style="list-style-type: none">• Check volume controls at page control.• Check for open circuits in wiring.
Poor listening in talkback mode.	<ul style="list-style-type: none">• Check talkback volume controls at page control. Set control at minimum suitable listening level.

INSTALLATION INSTRUCTIONS FOR

SURFACE MOUNT DOOR SPEAKER V-1074



V-1074 DOOR SPEAKER

The V-1074 Talkback Door Speaker can be used with all Valcom Handsfree Talkback Page Controls, Door Answering Units, or any control with a 45 ohm speaker output. It can be surface mounted with the two screws provided or mounted in a single-gang electrical box.

Dimensions/Weight

- 5.5"H x 4.0"W x 1.125"D (13.97cm H x 10.16cm W x 2.86cm D)
- 0.5 lbs. (.23 kg)

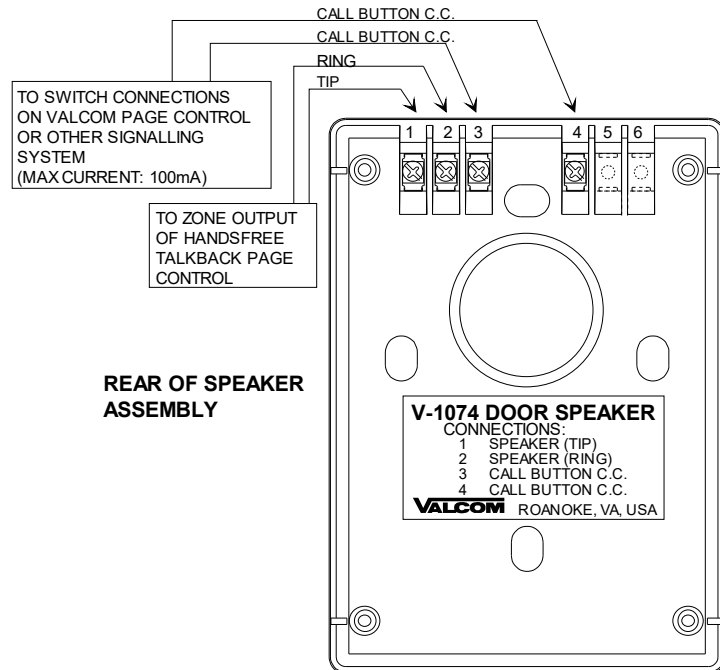
INSTALLATION

NOTES:

Connect using unshielded, twisted pair cable and limit runs to 800 feet or less. Up to three (3) pair cable may be required when connecting to the door speaker.

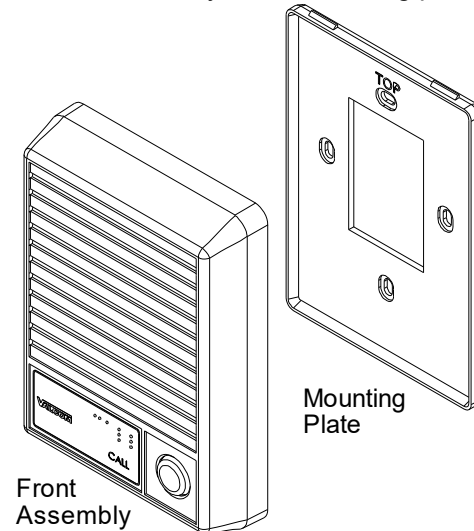
After making wire connections, cover uninsulated connections with silicone tape, insulating putty or paint, to prevent tracking.

1. Connect TIP and RING from the Valcom Page Control speaker output to the speaker connections (marked TIP and RING) on the Door Speaker as shown below.
2. Connect CALL button on the Door Speaker to the customer provided signal equipment as shown below. Switch is rated at 100 mA maximum current.



MOUNTING

The V-1074 has mounting holes located on the rear of the unit. To mount, open the enclosure by inserting a flat blade screwdriver in the slot at the bottom of the unit and prying the front assembly away from the mounting plate. Position the mounting plate at the desired location and fasten to the wall or electrical box using the screws provided. When connections are complete, snap the front assembly to the mounting plate.



TECHNICAL ASSISTANCE

When trouble is reported, verify power is being supplied to the unit and there are no broken connections. If a spare unit is available, substitute a spare unit for the suspected defective unit. Assistance in troubleshooting is available from the factory. Call (540) 563-2000 ask for Technical Support or go to the web site at <http://www.valcom.com>.

Valcom equipment is not field repairable. Valcom, Inc. maintains service facilities in Roanoke, VA. Should repairs be necessary, attach a tag to the unit clearly stating your company name, address, phone number, contact person, and the nature of the problem. Send the unit to:

Valcom, Inc.
Repair and Return Dept.
5614 Hollins Road
Roanoke, VA 24019-5056