

V-1092 WALL MOUNT VOLUME CONTROL

INTRODUCTION

The V-1092, Wall Mount Volume Control, is a Volume Control Unit that fits into a single-gang electrical box. The surface mount box provides 1/2" conduit access. This unit is compatible with all Valcom one-way speakers.

NOTE: The V-1092 is not designed to connect directly to the output of high powered amplifiers. For 25V, 70V or 100V applications, refer to the V-1095. For Talkback speaker applications, please refer to the S-560.



IMPORTANT SAFETY INFORMATION CONSIGNES DE SÉCURITÉ IMPORTANTES

1. Read these instructions.
Lisez ces instructions.
2. Keep these instructions.
Conservez ces instructions.
3. Heed all warnings.
Respectez tous les avertissements.
4. Follow all instructions.
Suivez toutes les instructions.
5. Do not use this apparatus near water.
Ne pas utiliser cet appareil près de l'eau.
6. Clean only with dry cloth.
Nettoyer avec un chiffon sec.
7. Do not block any ventilation openings. Install in accordance with the manufacturer's instructions.
Ne pas bloquer les ouvertures de ventilation. Installer formément aux instructions du fabricant.
8. Do not install near any heat sources such as radiators, heat registers, stoves or other apparatus (including amplifiers) that produce heat.
Ne pas installer à proximité de sources de chaleur telles que radiateurs, registres de chaleur, poêles ou autres appareils (y compris les amplificateurs) produisant de la chaleur.
9. Do not defeat the safety purpose of the polarized or grounding-type plug. A polarized plug has two blades with one wider than the other. A grounding type plug has two blades and a third grounding prong. The wide blade and the third prong are provided for your safety. If the provided plug does not fit into your outlet consult an electrician for replacement of the obsolete outlet.
Ne pas contourner le dispositif de sécurité de la fiche polarisée ou de mise à la terre. Une fiche polarisée possède deux lames dont une plus large que l'autre. Une fiche de terre a deux lames et une troisième broche de mise à la terre. La lame large et la troisième broche sont fournies pour votre sécurité. Si la fiche fournie ne rentre pas dans votre prise, veuillez consulter un électricien pour le remplacement de la prise obsolète.
10. Protect the power cord from being walked on or pinched particularly at plugs, convenience receptacles and the point where they exit from the apparatus.
11. Only use attachments/accessories specified by the manufacturer.
N'utilisez que des fixations / accessoires spécifiés par le fabricant.
12. Use only with the cart, stand, tripod, bracket or table specified by the manufacturer or sold with the apparatus. When a cart is used, use caution when moving the cart/apparatus combination to avoid injury from tip-over.
Utilisez uniquement avec le chariot, stand, trépied, support ou table spécifié par le fabricant ou vendu avec l'appareil. Quand un chariot est utilisé, Soyez prudent lorsque vous déplacez l'ensemble chariot / appareil pour éviter des blessures dues au renversement.
13. Unplug this apparatus during lightning storms or when unused for a long period of time.
Débranchez cet appareil pendant les orages ou lorsqu'il n'est pas utilisé pendant une longue période de temps.
14. Refer all servicing to qualified service personnel. Servicing is required when the apparatus has been damaged in any way. Such as when the power supply cord or plug is damaged, liquid has been spilled, objects have fallen into the apparatus or the apparatus has been exposed to rain or moisture and does not operate normally or has been dropped.
Confiez toute réparation à un personnel qualifié. Une réparation est nécessaire lorsque l'appareil a été endommagé de quelque façon. Par exemple lorsque le cordon d'alimentation ou la fiche est endommagé, du liquide a été renversé, si des objets sont tombés dans l'appareil ou le appareil a été exposé à la pluie ou à l'humidité et ne fonctionne pas normalement ou s'il est tombé.



SPECIFICATIONS

Applications

- To control volume of one-way amplified speaker assemblies in inaccessible areas
- To control large groups of one-way amplified speaker assemblies
- UL Listed (when used with supplied electrical box.)

Dimensions/Weight

- 4.50"H x 2.75"W x 2.80"D
(11.43cm H x 6.99cm W x 7.11cm D)
- Weight: .8 lbs. (0.36 kg)

Mounting

Surface Mounting - Mount the single-gang electrical box (included) to a V-1092 on any suitable surface. Two screws are used to fasten the box to the surface.

Flush Mounting - Remove faceplate assembly and install in standard single-gang electrical box.

Connections

- Connect wall mount volume control input tip and ring to desired zone output leads from page control.
- Connect wall mount volume control output to tip and ring if self-amplified speakers. (Refer to Figure 1).

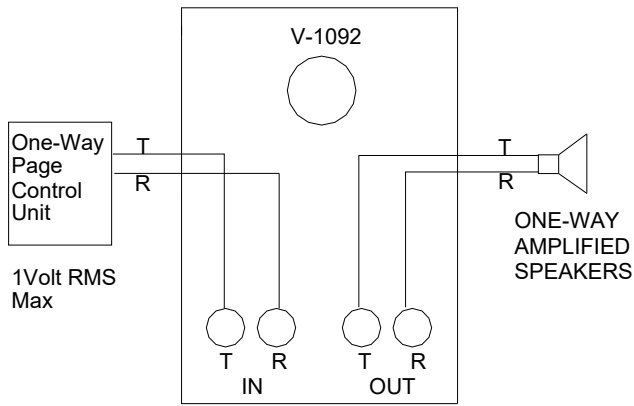


Figure 1.

TECHNICAL ASSISTANCE

When trouble is reported, verify the unit is properly connected and there are no broken connections leading to this unit.

Assistance in troubleshooting is available from the factory. When calling, you should have a VOM and a test set and call from the job site.

Call (540) 563-2000 and press 1 for Technical Support or visit our website at <http://www.valcom.com>.

VALCOM equipment is not field repairable. Valcom, Inc. maintains service facilities in Roanoke, VA. Should repairs be necessary, attach a tag to the unit clearly stating your company name, address, phone number, contact person and the nature of the problem. Send the unit to:

Valcom, Inc.
Repair and Return Dept.
5614 Hollins Road
Roanoke, VA 24019-5056

WARRANTY

Warranty information may be found on our website at www.valcom.com/warranty

TABLE 1 - TROUBLESHOOTING CHART

Problems	Possible Causes	Verifications	Possible Solutions
No audio output to speaker.	Open input path.	Place handset across V-1092 input terminals; No audio present.	Check cabling and cross-connections to V-1092.
	Open output path.	Place handset across speaker terminal; No audio present.	Check cabling and cross-connections from V-1092 to speaker.