

V-1095 70V PAGING EXPANDER

INTRODUCTION

These instructions contain the specifications and information necessary to install, operate and maintain the V-1095 70V Paging Expander.

SPECIFICATIONS

Design

The Valcom V-1095 70V Paging Expander is used to expand 8 Ohm, 25V, 70V or 100V systems into amplified speaker assemblies. The unit comes with its own surface mount box which provides 1/2" conduit access. The unit will accept input signal from a 8 Ohm, 25V, 70V or 100V paging system and reduce it to a low impedance reduced level output.

Applications

- To expand existing 8 Ohm/25/70/100V paging systems without replacing the main amplifier. A V-1094A preamp expander may also be required depending on the number of speakers added.
- To provide master volume control convenience to all or a portion of a paging zone.

Dimensions/Weight

- 4.44"H x 2.75"W x 2.88"D
(11.28cm H x 6.99cm W x 7.32cm D)
- 0.9 lbs. (0.41 kg)

Nominal Specifications

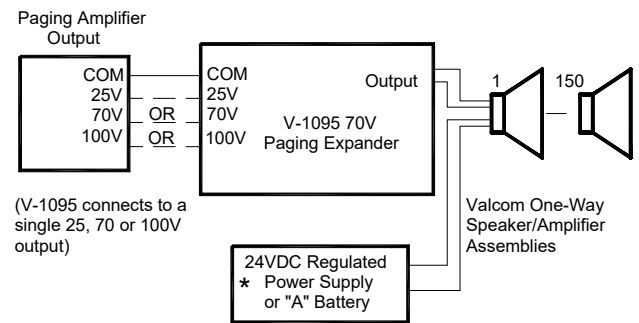
Input Impedance:	
100V	20 K Ohm
70V	10 K Ohm
25V	1.25 K Ohm
Output Impedance:	
	8 Ohms
Frequency Response:	
	50Hz to 20KHz \pm 3dB

INSTALLATION

These instructions cover only the installation of the Valcom V-1095. Consult the practices of other equipment if other equipment is being used.



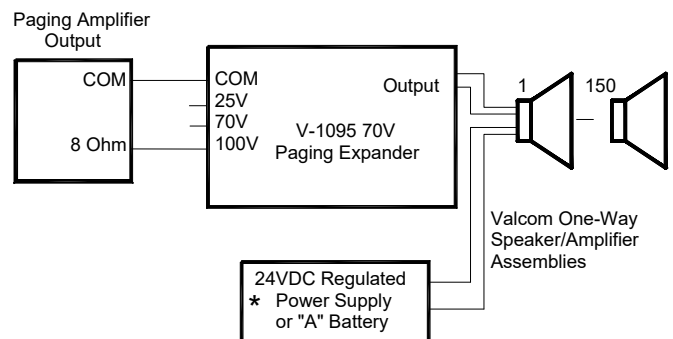
Audio and Power Connections Expanding a 25/70/100V Amplifier



* The V-1095 does not require a power supply. The power supply is required for speaker/amplifier assemblies.

Figure 1

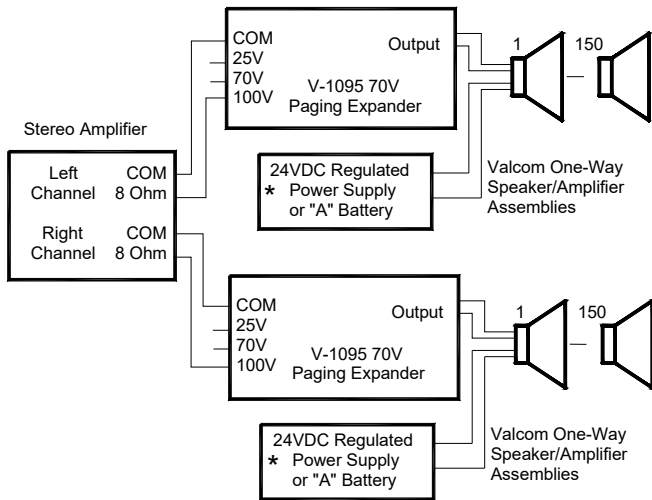
Expanding an 8 Ohm Amplifier Output



* The V-1095 does not require a power supply. The power supply is required for speaker/amplifier assemblies.

Figure 2

Expanding an 8 Ohm Stereo Output



* The V-1095 does not require a power supply.
The power supply is required for speaker/amplifier assemblies.

Figure 3

Refer to the figures above for connections. Cabling "D" type station wire or other suitable pairs may be used for audio output connection.

Connections

- a. Connect 25V, 70V or 100V input leads to respective amplifier.
- b. Connect V-1095 output leads to speaker/amplifier assemblies or V-1094A.

Mounting

Install Romex connector and closure plugs in appropriate access holes on supplied single gang weather-resistant electrical box. Attach mounting lugs to the box with the two screws provided. Mount the box to suitable surface with appropriate hardware. Feed audio cable through access hole in installed surface mount electrical box. After making required cable connections, attach faceplate to box with screws provided.

TECHNICAL ASSISTANCE

When trouble is reported, verify there are no broken connections leading to this unit. Assistance in troubleshooting is available from the factory. When calling, have a VOM available and call from the job site. Call (540) 563-2000 and press 1 for Technical Support or visit our website at <http://www.valcom.com>.

Valcom equipment is not field repairable. Valcom, Inc. maintains service facilities in Roanoke, VA. Should repairs be necessary, attach a tag to the unit clearly stating your company name, address, phone number, contact person and the nature of the problem. Send the unit to:

Valcom, Inc.
Repair and Return Dept.
5614 Hollins Road
Roanoke, VA 24019-5056

TROUBLESHOOTING CHART			
PROBLEM	POSSIBLE CAUSES	VERIFICATION	POSSIBLE SOLUTION
No audio output to added speaker	Open input path	Monitor audio at input terminals with lineman's test set. No audio input.	Check cabling and cross-connections.
	Open output path	Monitor audio at output terminals with lineman's test set. No audio output.	Check cabling and cross-connections.

WARRANTY

Warranty information may be found on our website at www.valcom.com/warranty.