

V-1094B Page Port PreAmp/Expander

The Amp has a 600 Ohm input and a 8 Ohm output with a response of 80Hz to 10kHz +/-3dB and a maximum gain of 8dB. It is powered by -21 to 26VDC at 15mA.

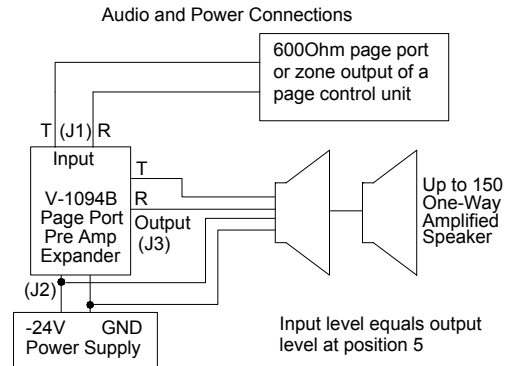


The V-1094B is normally used to pre-amp audio on long lines or provide master volume control to all or part of a paging zone.

Technical Assistance
540-563-2000 or
www.valcom.com

Issue 1

947688



V-1094B Page Port PreAmp/Expander

The Amp has a 600 Ohm input and a 8 Ohm output with a response of 80Hz to 10kHz +/-3dB and a maximum gain of 8dB. It is powered by -21 to 26VDC at 15mA.

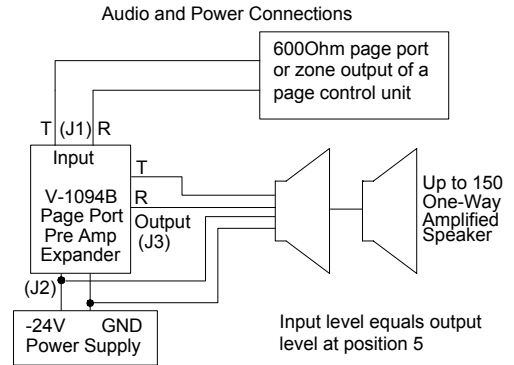


The V-1094B is normally used to pre-amp audio on long lines or provide master volume control to all or part of a paging zone.

Technical Assistance
540-563-2000 or
www.valcom.com

Issue1

947688



V-1094B Page Port PreAmp/Expander

The Amp has a 600 Ohm input and a 8 Ohm output with a response of 80Hz to 10kHz +/-3dB and a maximum gain of 8dB. It is powered by -21 to 26VDC at 15mA.

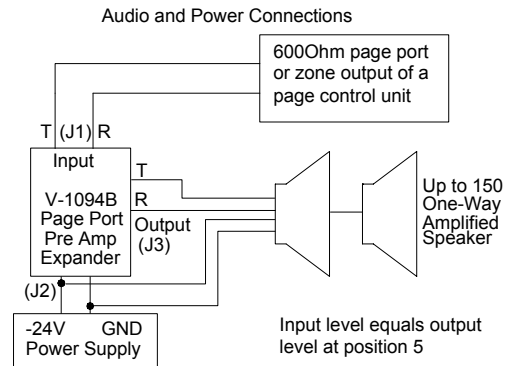


The V-1094B is normally used to pre-amp audio on long lines or provide master volume control to all or part of a paging zone.

Technical Assistance
540-563-2000 or
www.valcom.com

Issue 1

947688



V-1094B Page Port PreAmp/Expander

The Amp has a 600 Ohm input and a 8 Ohm output with a response of 80Hz to 10kHz +/-3dB and a maximum gain of 8dB. It is powered by -21 to 26VDC at 15mA.



The V-1094B is normally used to pre-amp audio on long lines or provide master volume control to all or part of a paging zone.

Technical Assistance
540-563-2000 or
www.valcom.com

Issue 1

947688

